

### 4-20 mA LOOP-POWERED LARGE DISPLAY PROCESS METER



Large, sleek 3 ½ digit display

Simple installation and operation

Versatile mounting options with rotatable display

Superior durability for demanding applications

Increased visibility with loop powered back-light

Compatible with Sensorex 4-20 mA output sensors

The LPM100 is a durable, versatile loop powered process meter - the ideal read out display solution for challenging applications. Loop power reduces the use of power lines, while the simple interface ensures user-friendliness. Complete a quick and adaptable installation and your system will be ready for process monitoring.

## SPECIFICATIONS

Display	3½ digit LCD, 1" (25.4 mm) -1,999 to 1,999
Display Update Rate	2.5 Updates/Second
Display Orientation	Display may be mounted at 90° increments up to 270° from default orientation
Over-range	Display reads 1 on the left most digit
Programming Method	Four front mounted rotary control dials accessed when the cover is removed
Recalibration	Recommended at least every 12 months
Normal Mode Rejection	60 dB rejection ratio
Operating and Storage Temperature Range	-40 to 75°C
Relative Humidity	0 to 90% non-condensing
Connections	Screw terminals accept 12 to 22 AWG wire
Enclosure	NEMA 4X, IP65 plastic field enclosure

## COMPATIBILITY

Recommended for local display of data from Sensorex sensors with a 4-20 mA output, including:

- UVT-LED-PW UV Transmittance Sensors
- FCL500 Free Chlorine Sensors
- DO6440/T Dissolved Oxygen Sensors
- CLD500 Chlorine Dioxide Sensors

## PARTS COVERED BY THIS DOCUMENT:

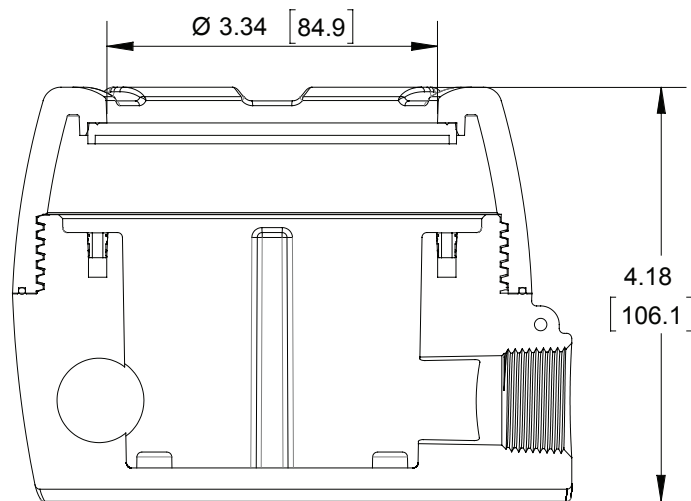
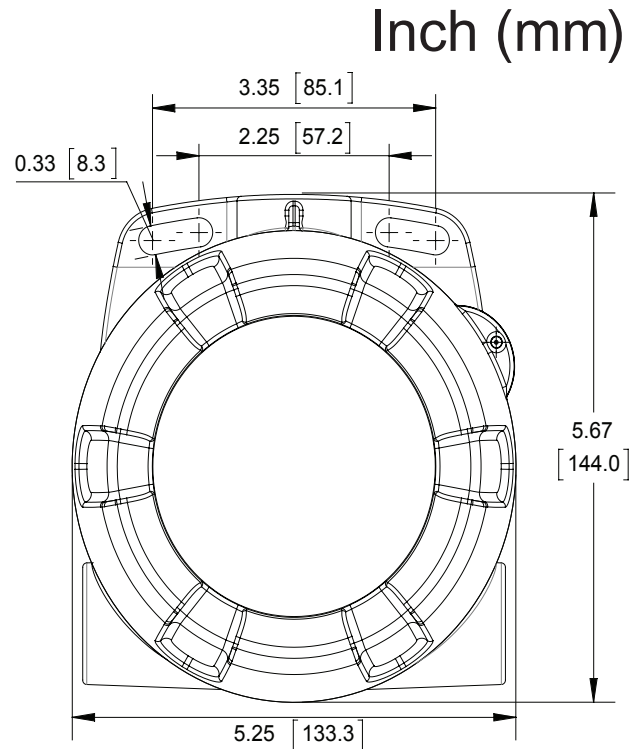
- LPM100
- LPMA0002

### OUTLINE AND DIMENSIONS

Overall	5.67" x 5.25" x 4.18" (144 mm x 133 mm x 106 mm) (W x H x D)
Weight	1.65 lbs (26.4 oz, .75 kg)

### INPUT

Input	4-20 mA
Accuracy	±0.1% of full span ±1 count
Temperature Drift	150 PPM/°C from -40 to 75°C ambient
Calibration Range	4 mA input: -1000 to +1000; 20 mA between 20 and 2000 counts greater than 4 mA display. Two point linear display span
Maximum Voltage Drop	4 VDC @ 20 mA with loop-powered back-light
Input Overload	Over current protection to 2 A max



### ORDERING INFORMATION

Part Number	Description
LPM100	Loop Powered Process Meter with Back-light
LPMA002	Pipe mount kit for LPM100 (stainless steel U-Bolt)